

KINGS A D V E N T U R E



Adventure Kings Roof Top Tent **USER MANUAL**

PLEASE READ AND UNDERSTAND THIS MANUAL COMPLETELY BEFORE USE.

Warning



Improper installation or use of your Roof Top Tent may result in serious injury or death. You will need to follow these installation instructions carefully to ensure proper installation on your vehicle and safe use of your Roof Top Tent. Please contact your vehicle manufacturer for specified loading capacity of your roof rack. Not all factory roof racks or aftermarket roof bars can safely accommodate tent models.

ANY ELEMENTS APPLIED ON THE VEHICLE ROOF CHANGES THE NORMAL VEHICLE HANDLING. THE MANUFACTURER DISCLAIMS ALL RESPONSIBILITY IN CASE OF ACCIDENTS DUE TO IMPROPER USE, WRONG MAINTENANCE, OR NOT CHECKING THE TIGHTNESS OF THE FASTENING HARDWARE/ BRACKETS ON THE ROOF RACK SYSTEM

DO NOT CLIMB ON LADDER UNTIL CORRECT ANGLE IS ACHIEVED (approx. 30 degrees between ladder and ground).

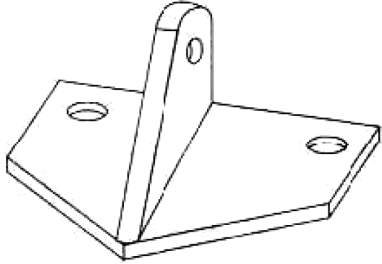
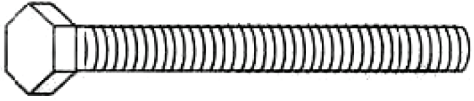

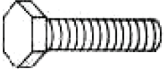
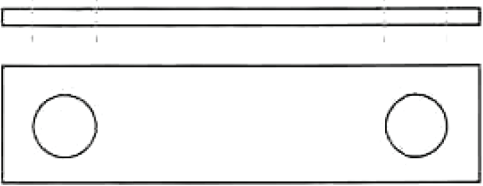
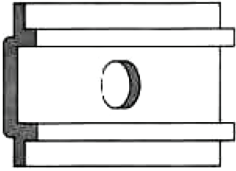

NOTE: If the angle of the ladder is at 90 degrees and/or does not reach the ground, you will need a ladder extension or longer extendable ladder (sold separately).

4WD Supacentre - The wholesaler / manufacturer shall not be liable for special, indirect incidental or consequential damages including but not limited to lost profits.




 **SAFETY WARNING** 
KEEP ALL FLAME AND HEAT SOURCES AWAY FROM THE TENT MATERIALS.
**UNDER NO CIRCUMSTANCE SHOULD ANY NAKED FLAME SOURCES OR HEATING DEVICES
BE USED INSIDE OR NEAR THE TENT.**
KEEP CAMP FIRES WELL AWAY FROM TENT.
**KEEP A LOOK OUT FOR ANY AIRBORNE BURNING EMBERS THAT MAY COME
INTO CONTACT WITH THE TENT.**
KEEP A FIRE EXTINGUISHER OR WATER BUCKET NEARBY.
DO NOT SMOKE WITHIN THE TENT.
DO NOT OPERATE ANY DEVICE WHICH BURNS FUEL INSIDE OF THE TENT.
KEEP EXIT CLEAR.


Inspections: During trips regularly check that all nuts and bolts attaching your Roof Top Tent to your vehicle are tight and in good repair.

Roof Top Tent Hardware Identification Chart

Quantity	Model#	
Ladder Mounting Bracket		
2	T050801878	
55 mm Steel M8 Bolt		
8	T050801879	
40 mm Steel M6 Bolt		
8	T050801885	
16 mm Steel Bolt To Mount Ladder M6		
2	T050801887	
Stainless Steel Mount Plate		
4	T050801880	
Aluminium Slide Plate		
8	T050801881	
Rubber Washer To Mount Ladder		
2	T050801888	

Roof Top Tent Hardware Identification Chart cont.

Quantity	Model#	
M6 Nylock Nut		
10	T050801889	
M8 Nylock Nut		
8	T050801889 A	
Stainless Steel Washer		
20	T050801889 B	

Metric Wrench 10 / 13 mm		
2	T050801882A	

Mounting Channel		
2	T050801855	

Tent Orientation on Your Vehicle



There are two mounting options for the orientation of your new Roof Top Tent. Either the Roof Top Tent will open so that the ladder extends off the back of your vehicle, "Rear Mounted". Or alternatively the ladder extends off the side of your vehicle, "Side Mounted". Either orientation will work for larger vehicles, however, most sedans or smaller SUVs are better suited for the side mounted option.

NOTE: If the Roof Top Tent is rear mounted, you will need to cut the mounting channels to suite the width of the roof top tent base.

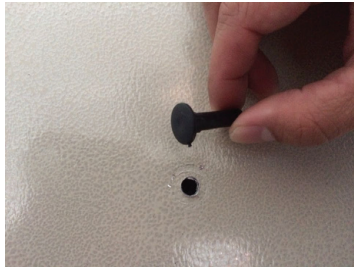
Attaching Mounting Channels

1. Remove the Roof Top Tent from the carton and place on a clean surface. Observe the top surface. If it has four holes in the centre area of the base, then this is the side which will receive the mounting channels. Otherwise you are looking at the surface which will receive the ladder. Open tent to gain entrance to interior and remove contents.

CONTENTS:

Ladder – 1 pce, PVC cover – 1 pce, Annex room – 1 pce, Rod for window – 6 pces, mounting channel – 2 pces, Mounting accessories – 1bag.

2. After removing the contents, close the Roof Top Tent, so the channel mounting surface is facing upward, then move the cap of holes (side with 4 holes).



3. Using the four supplied 40mm Steel M6 bolt, slide your hand between the base and mattress, and insert the bolts with washers into the pre-drilled holes.
4. Place mounting channels on exposed bolts. For side mounted orientation, ensure the mounting channels are perpendicular to hinge side. For rear mounted orientation, ensure the mounting channels are parallel to hinge side.
5. Slide the M6 Nylock Nut into the inner slot in the centre of the mounting channels, until they are aligned with the bolts sticking through the base. Tighten the bolts firmly from below, using the supplied 10mm wrench. If you chose a rear mounted orientation, you will notice that the mounting channels extend (20cm) beyond the edges of the base. You will need to mark each channel where they extend beyond the tent base and cut the mounting channels so they fit within the tent base. Fasten mounting channels to base as described above.

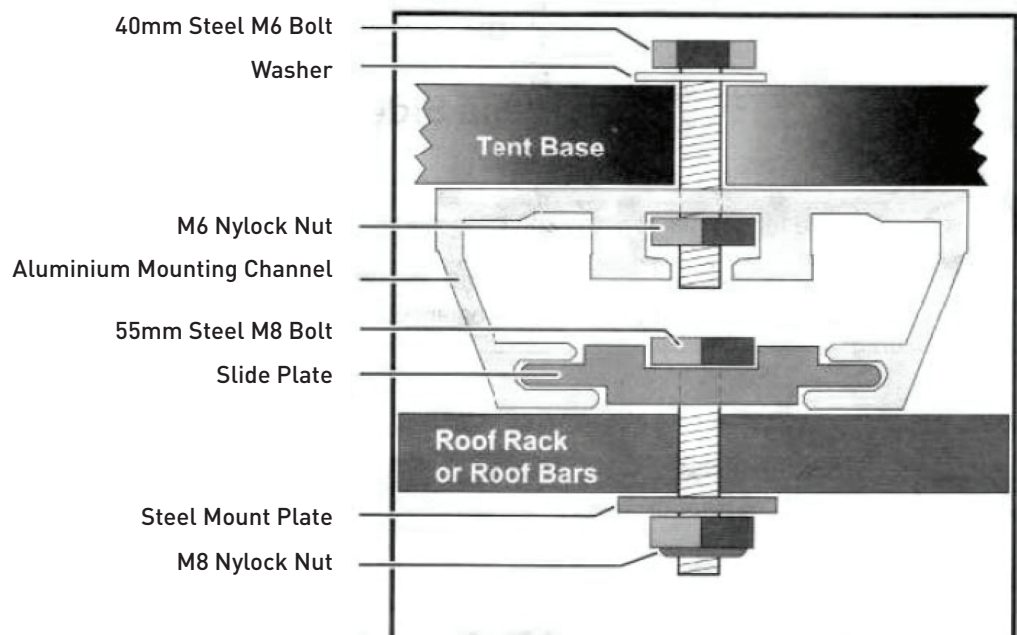


DIAGRAM A

Attaching the Ladder

1. Flip the tent base over.
2. Locate the pre-drilled holes at the edge of the base and attach the ladder bracket to the base using 40mm Steel M6 bolt, washers, and nylock nuts.

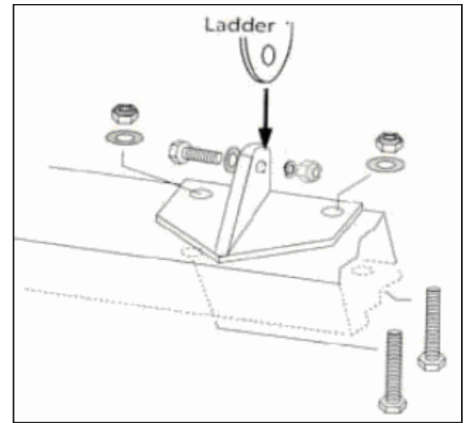


DIAGRAM B

For your safety and protection see Diagram C below for correct placement and angle of ladder. **DO NOT CLIMB ON LADDER UNTIL CORRECT ANGLE IS ACHIEVED** (approx. 30 degrees between ladder and ground). **NOTE:** If the angle of the ladder is at 90 degrees and/or does not reach the ground, you will need a ladder extension (not included). The ladder placed in correct position also acts as a brace for the suspended base of your tent.

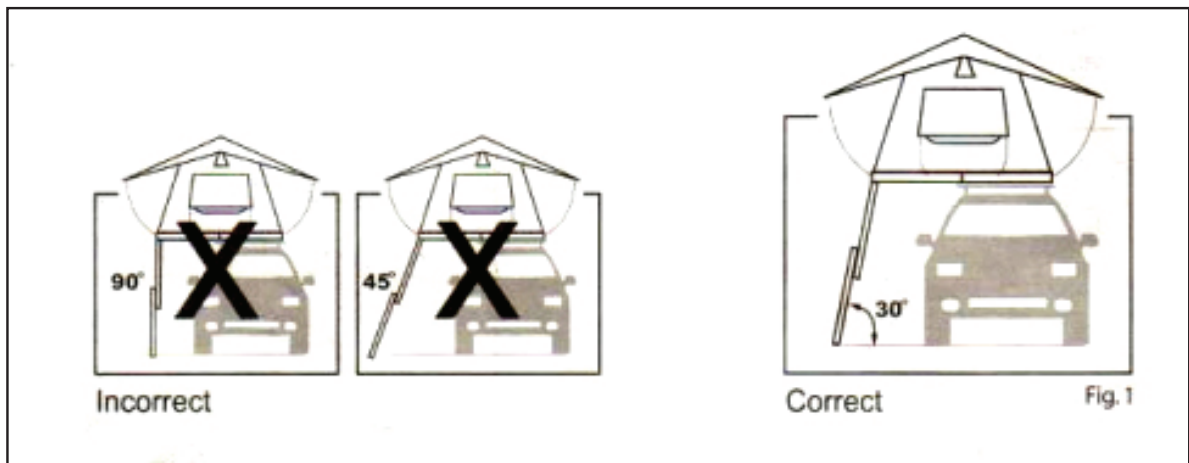


DIAGRAM C

Fitting the Roof Top Tent to your Roof Rack

1. Place the Roof Top Tent on top of your vehicle's roof rack system (minimum 2 persons required)
2. Place 55mm Steel M8 bolt into the slide plates. Slide the plates and bolts into the mounting channel. You will need to lift a Roof Top Tent side, so as to have one of the bolts on the inside of the roof rack bar.
3. Inspect the position of the Roof Top Tent to ensure it is centred on the roof rack and positioned to open on the desired side.

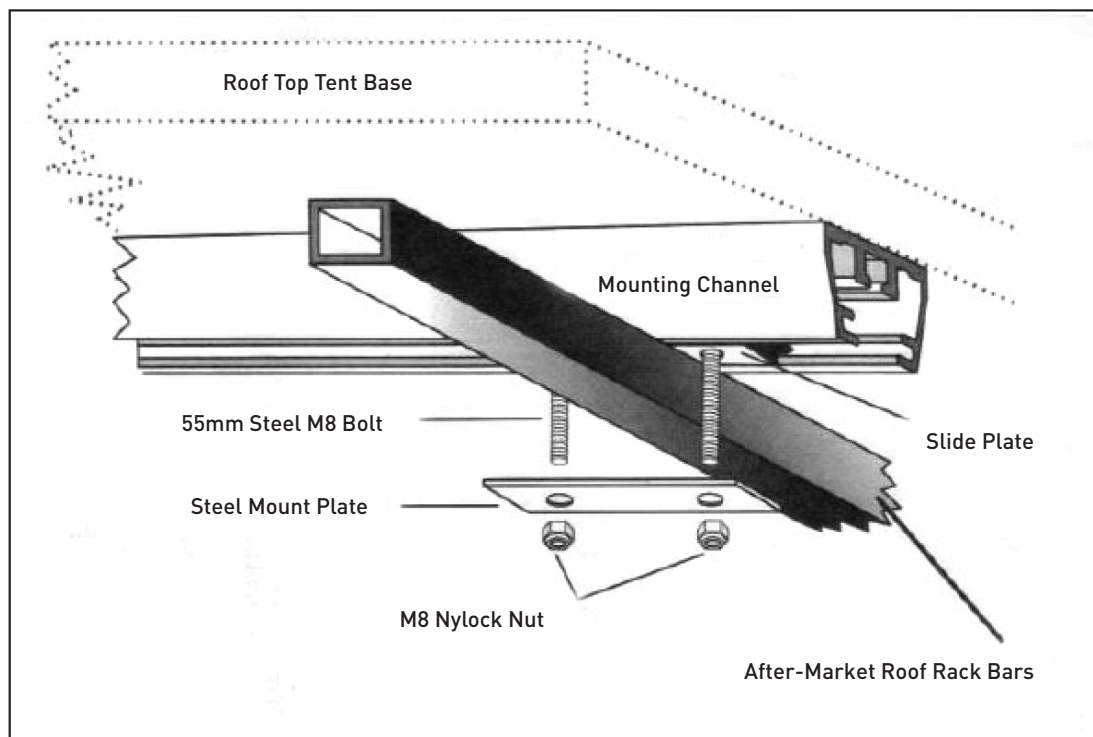


DIAGRAM D

4. Attach the Roof Top Tent to your roof rack at the four points where the rack and mounting channels cross. Tighten all eight bolts. It is important that you check all the mounting bolts and brackets periodically to ensure they are securely fastened to your base and roof rack or after-market roof bars.
5. After ensuring the Roof Top Tent is positioned correctly, and all eight bolts are tightened, insert the rubber end caps into the ends of the mounting channel (this may require light taps from a hammer).

Fitting the Roof Top Tent to your Roof Rack Cont.

NOTE: The Adventure Kings Roof Top Tent has not been designed to be installed in this manner. The increased force from the wind due to the large air gap beneath the Roof Top Tent may cause the Roof Top Tent mounting hardware to fail. 4WD Supacentre will not be held liable if a Roof Top Tent is installed in this manner and the mounting hardware fails.



Care Instructions

Clean only with cold water and soft brush - do not use soap or detergent.
Do not expose to petrol, oil or solvents.

12 MONTH LIMITED WARRANTY

WARRANTY PERIOD:

Full 12 month warranty from date of purchase against all manufacturing defects.

WHAT DOES THE WARRANTY COVER?

Under normal usage conditions, this warranty covers:

- a. Any defect in design or manufacture which results in the product failing to perform substantially as described in authorised advertising or literature.
- b. We will either repair or replace the product at our discretion providing that the fault is found to have been caused by a design or manufacturing defect and not misuse or tampering.

Our goods come with guarantees that cannot be excluded under the Australian Consumer Law. You are entitled to a replacement or refund for a major failure and for compensation for any other reasonably foreseeable loss or damage. You are also entitled to have the goods repaired or replaced if the goods fail to be of acceptable quality and the failure does not amount to a major failure. The benefits provided to you as the consumer by this warranty are in addition to other rights and remedies available to you under the law.

THE WARRANTY DOES NOT COVER:

- a. Any damage resulting from improper use
 - b. Faulty installation or modification made during installation
 - c. The cost of removing and reinstalling the product
 - d. Travel and /or other expenses due to customer's remote location
 - e. Transport charges and damage in transit. It is your responsibility to deliver and pick up your product, including any costs associated with the postage of your repair or replacement product. If you do freight your product we recommend that you insure against loss or damage.
 - f. Any loss directly or indirectly associated with the product failing to operate.
 - g. Damage caused by mould, insects, animals, misuse, incorrect operation, adverse weather, accidents and fair wear and tear
-

TO MAKE A CLAIM, PLEASE ENSURE YOU RETAIN YOUR SALES RECEIPT OF PURCHASE

CALL 1800 88 39 64



OUTDOOR SUPACENTRE PTY LTD
2 Stanley St Silverwater NSW, 2128
PHONE: 1800 88 39 64
www.4wdsupacentre.com.au