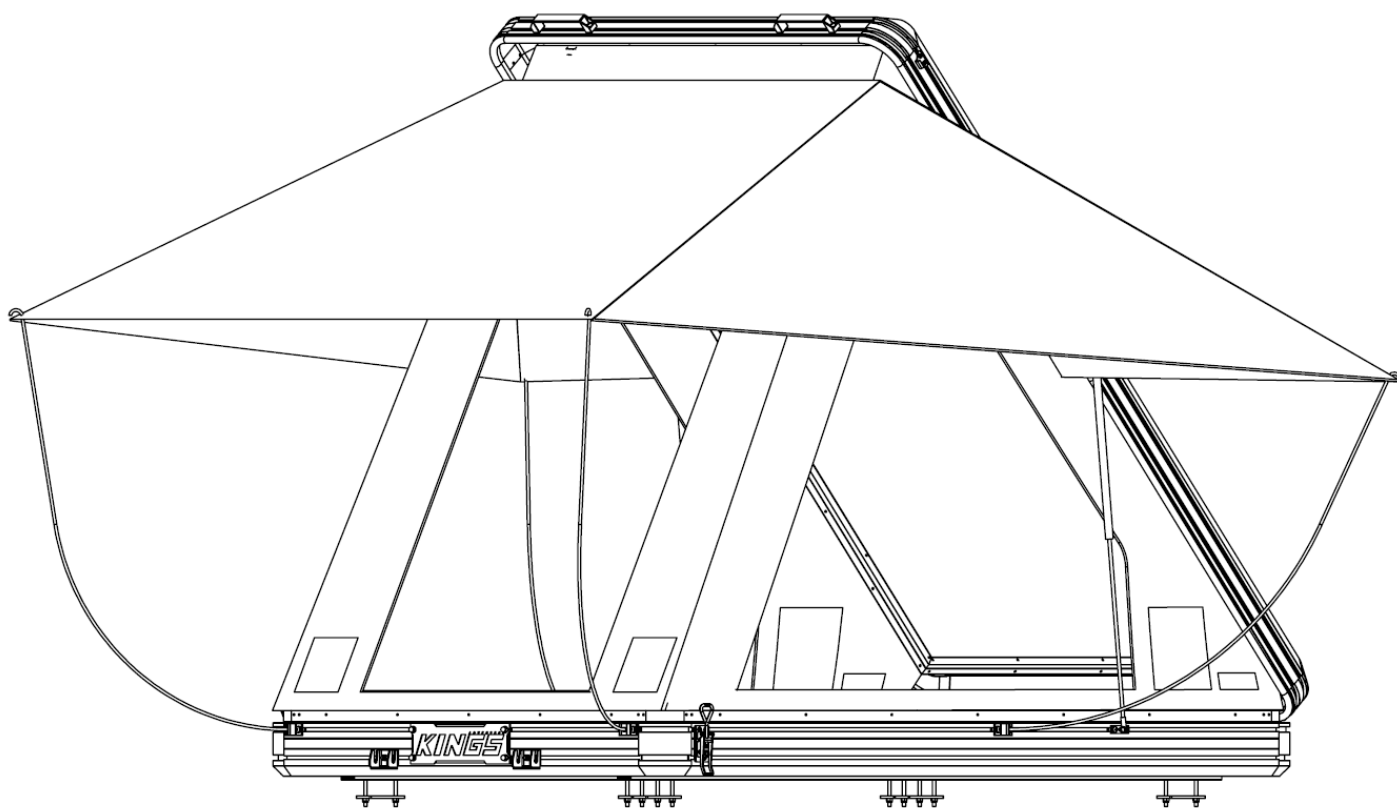




Grand Tourer Aluminium Rooftop Tent **USER MANUAL**

AKTA-RTTALU_03



V1.0

**PLEASE READ AND UNDERSTAND THIS MANUAL
COMPLETELY BEFORE USING THIS PRODUCT.**

CONTENTS

1. INTRODUCTION	3
2. SAFETY INFORMATION	3
3. COMPONENTS	4-5
4. INSTALLATION INSTRUCTIONS	6-8
5. SETUP INSTRUCTIONS	9-10
6. WARRANTY CARD	11

1. INTRODUCTION

This manual covers the safety information, components, installation instructions & setup instructions of the Adventure Kings Grand Tourer Aluminium RTT. The Adventure Kings Grand Tourer Aluminium RTT is designed to be securely mounted to a vehicle roof for use as a recreational camping tent. For any questions or warranty claims please call 1800 883 964.

2. SAFETY INFORMATION

Please read and understand all the following safety information prior to mounting or setting up the Adventure Kings Grand Tourer Aluminium RTT. Adhering to the following safety warnings will reduce the risk of damage to the product, damage to the vehicle or injury to persons.



SAFETY WARNING



- Do not try and lift the Aluminium RTT by yourself. Safe use of a forklift or a team of people is recommended.
- Ensure that the Aluminium RTT is installed correctly as per the below installation instructions. All bolted connections should be checked regularly for tightness & general condition.
- Ensure that the roof rack can support the total weight of the Aluminium RTT and two adults.
- Ensure that the combined weight of the Aluminium RTT & the roof rack is lower than the vehicle roof load limit. Take into account that off-road travel increases the dynamic stresses on your vehicle.
- Position the Aluminium RTT on the vehicle roof so that the weight is centred over the middle of the vehicle.
- Note that the Aluminium RTT will increase the weight & height of your vehicle.
- Take care when using the supplied telescopic ladder. Ensure it is securely clipped in before using. Be aware of pinching hazards when extending or packing away.
- Take care when opening and closing the Aluminium RTT. Be aware of pinching hazards when closing.

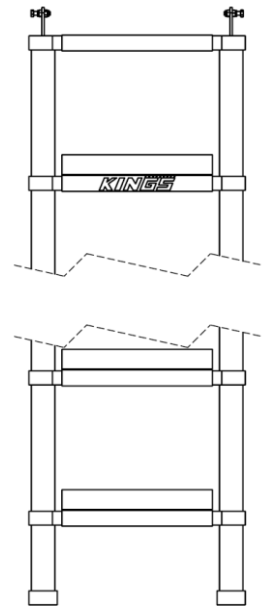
3. COMPONENTS

The following shows what components are included in the Grand Tourer Aluminium RTT.

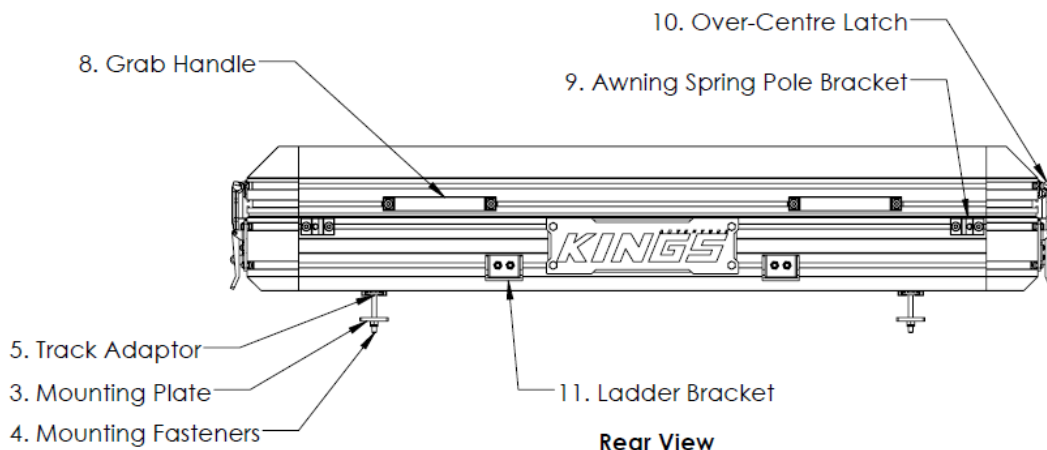
1. Aluminium RTT x 1
2. Telescopic Ladder x 1
3. Mounting Plates x 6
4. Mounting Fasteners x 12 (set of M8 bolt and Nyloc nut)
5. Mounting Track Adaptor x 12
6. Awning Poles (Long) x 2
7. Awning Poles (Short) x 2
8. Grab Handle x 2
9. Awning Spring Pole Bracket x 4
10. Over-centre Latch x 2
11. Ladder Brackets x 2
12. Internal Safety Pole x 1



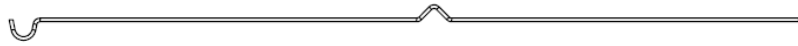
1. Aluminium RTT



2. Telescopic Ladder



Rear View



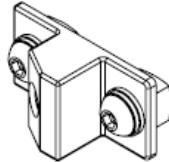
6. Awning Pole_Long



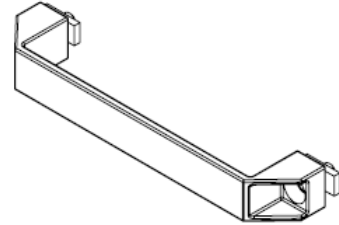
7. Awning Pole_Short



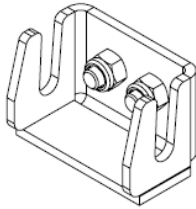
12. Internal Safety Pole



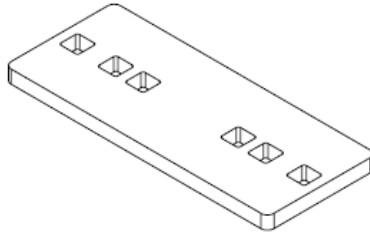
9. Awning Spring Pole Bracket



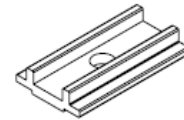
8. Grab Handle



11. Ladder Bracket



3. Mounting Plate



5. Mounting Track Adaptor

4. INSTALLATION INSTRUCTIONS

The following installation instructions refer to the fitting for the accessories and mounting the Grand Tourer Aluminium RTT to a vehicle roof rack. All mounting fasteners supplied should be used.

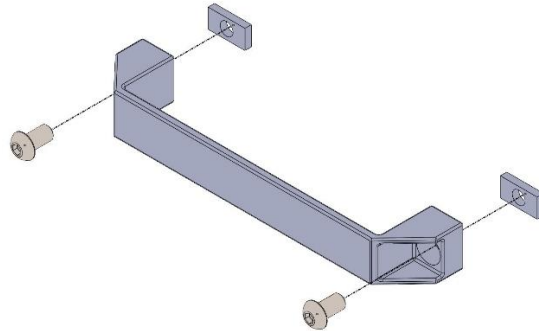
DO NOT lift the Aluminium RTT by yourself. Use a team of people or a forklift.

STEP 1

Un-pack the Aluminium RTT from the box. All components will be stored inside the Aluminium RTT.

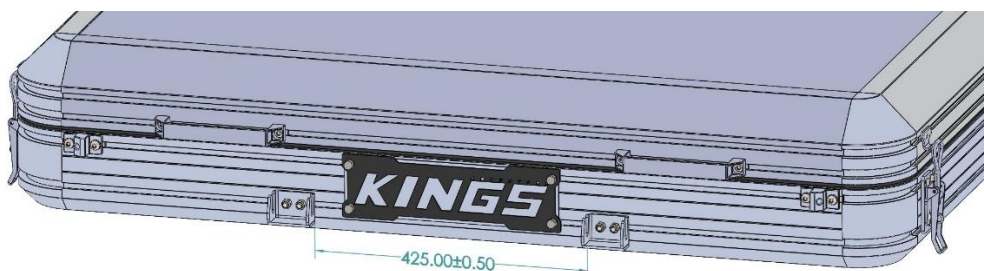
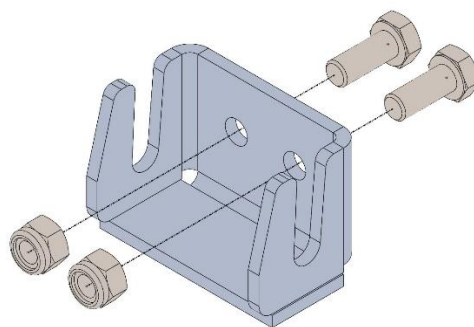
STEP 2

Installing the grab handle. Place the two plate nuts into the bottom channel on the top shell. Align the M8 mounting bolts and nuts before tightening the fasteners.



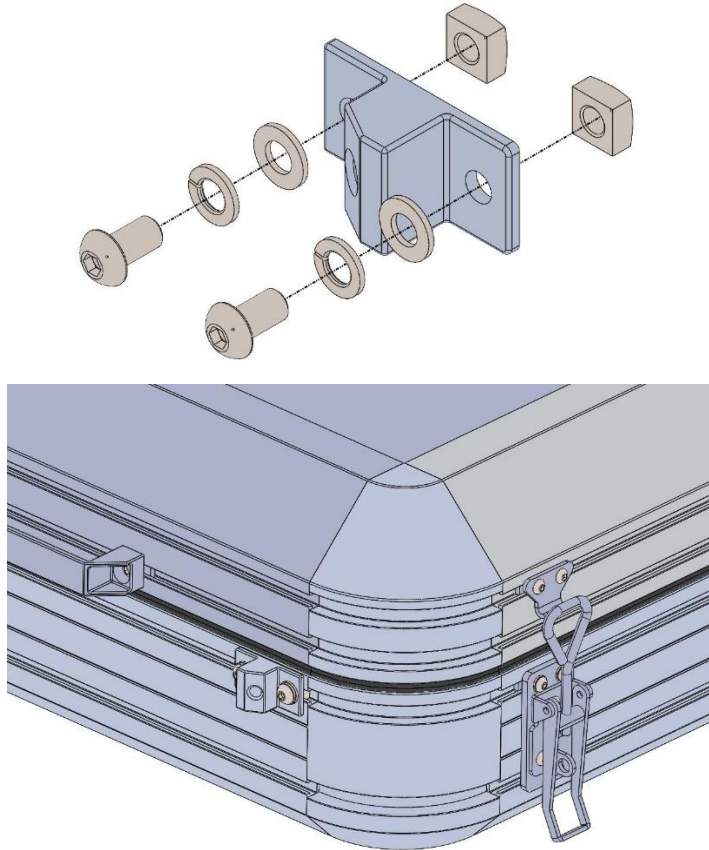
STEP 3

Installing the ladder bracket. Place the two M8 bolts into the bottom channel on the bottom shell. Align the bracket with the two bolts before tightening the nuts. Make sure the space between the bracket is 425mm for fitting the ladder between the brackets. The ladder brackets can be placed either on the side or the rear end of the tent.



STEP 4

Installing the awning pole bracket. Place the two plate nuts into the top channel of the bottom shell. Align the washer, spring washer and the M8 bolt before tightening the fasteners. See image for the orientation and the position of the bracket.



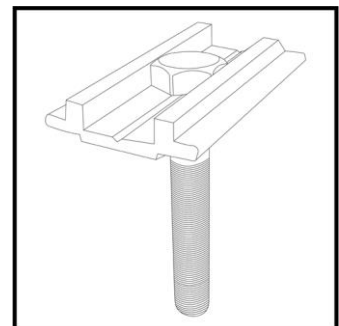
STEP 5

Lift the Aluminium RTT onto the vehicle roof rack. Position the Aluminium RTT so that it is centred on the roof rack. This will ensure the weight is evenly distributed across the vehicle roof.

Note: Ensure tent is flush with rear of car to accommodate for ladder during use.

STEP 6

Assemble bolts with mounting track adaptors. See image to the right.



STEP 7

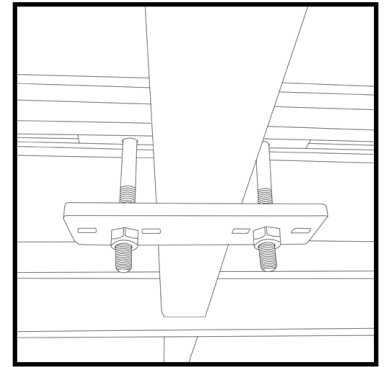
Slide track adaptors with bolts into the desired tracks on the underside of Aluminium RTT by lifting up the Aluminium RTT to one side.

STEP 8

Ensure that the mounting bolts are aligned around the roof rack structural cross bars. (Use all 6 supplied mounting plates where applicable.)

STEP 9

When satisfied with the position of Aluminium RTT slide the mounting plates over the bolts and screw on the nyloc nuts. Tighten the nyloc nuts and ensure that the bolt thread has fully come through the nyloc nut. See image to the right.



STEP 10

Regularly check the Aluminium RTT bolted connections are secure. Tighten if necessary.

5. SETUP INSTRUCTIONS

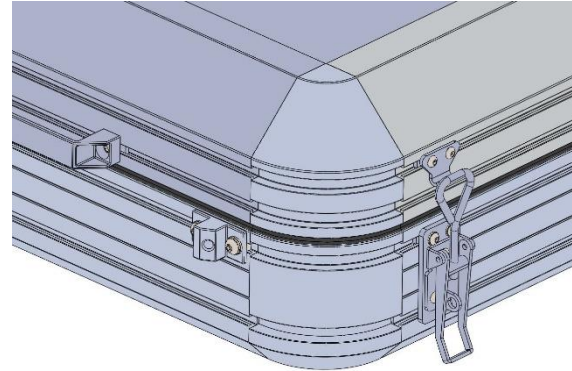
The following instructions refer to the setup procedure for the Grand Tourer Aluminium RTT.

STEP 1

Ensure that the vehicle is on level ground and the handbrake is on.

STEP 2

Open the two over-centre latches and push the Aluminium RTT lid up. See image to the right. The gas struts will assist in opening the lid fully.



STEP 3

Pull the bungee cord around the canvas down and hook it around the bottom lip of the Aluminium RTT.

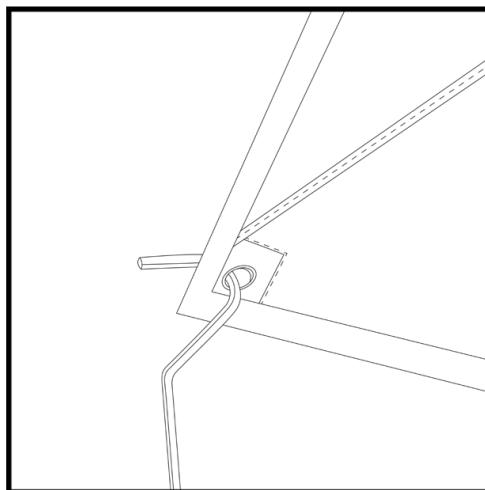
STEP 4

Using the telescopic ladder. Extend the ladder to the desired length and clip onto the mount. Ensure the ladder is slightly angled away from the tent and in contact with the ground.

THE LADDER MOUNT IS NOT DESIGNED TO TAKE LOAD. LADDER MUST ALWAYS BE IN CONTACT WITH THE GROUND.

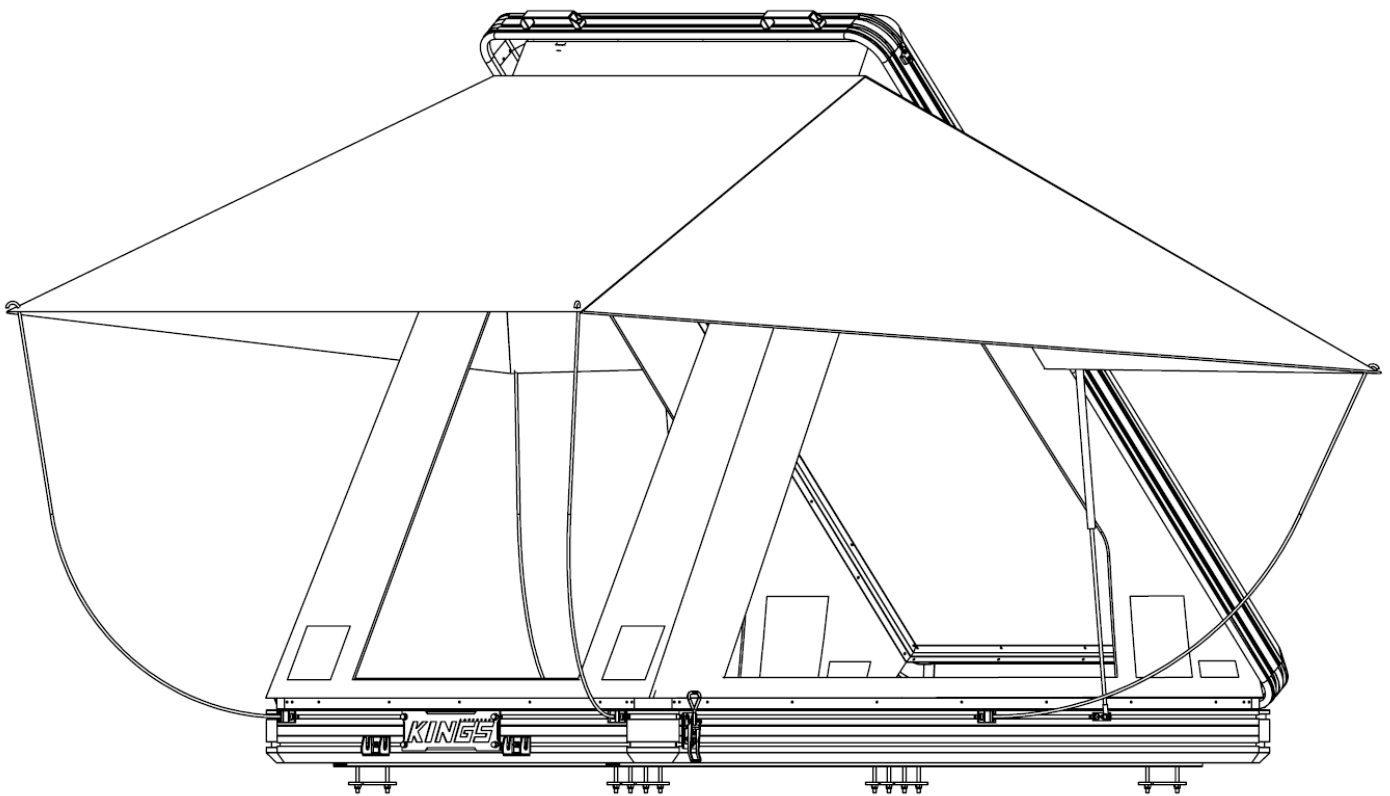
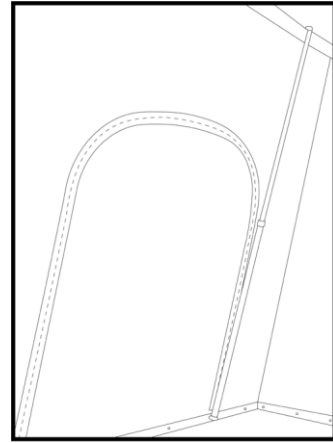
STEP 5

Ensuring that the ladder is securely located & positioned correctly. Climb up and pull out the awning poles from inside the Aluminium RTT. Insert the window poles into the holes on the awning pole bracket. Bend the window poles and hook into the eyelets on Aluminium RTT awning. There is a total of 4 window poles required for the awning (2 short ones on the side, 2 long ones on the rear). See image below.



STEP 6

Climb into Aluminium RTT and place the safety pole in the allocated holder. Twist the safety pole top section anticlockwise to unlock and extend. Once extended to the required length and located in both top and bottom holders then twist the safety pole clockwise to lock extended length. See image to the right.



24 MONTH LIMITED WARRANTY

WARRANTY PERIOD:

Full 24 month warranty from date of purchase against all manufacturing defects.

WHAT DOES THE WARRANTY COVER?

Under normal usage conditions, this warranty covers:

- a. Any defect in design or manufacture which results in the product failing to perform substantially as described in authorised advertising or literature.
- b. We will either repair or replace the product at our discretion providing that the fault is found to have been caused by a design or manufacturing defect and not misuse or tampering.

Our goods come with guarantees that cannot be excluded under the Australian Consumer Law. You are entitled to a replacement or refund for a major failure and for compensation for any other reasonably foreseeable loss or damage. You are also entitled to have the goods repaired or replaced if the goods fail to be of acceptable quality and the failure does not amount to a major failure. The benefits provided to you as the consumer by this warranty are in addition to other rights and remedies available to you under the law.

THE WARRANTY DOES NOT COVER:

- a. Any damage resulting from improper use
 - b. Faulty installation or modification made during installation
 - c. The cost of removing and reinstalling the product
 - d. Travel and /or other expenses due to customer's remote location
 - e. Transport charges and damage in transit. It is your responsibility to deliver and pick up your product, including any costs associated with the postage of your repair or replacement product. If you do freight your product we recommend that you insure against loss or damage.
 - f. Any loss directly or indirectly associated with the product failing to operate.
 - g. Damage caused by mould, insects, animals, misuse, incorrect operation, adverse weather, accidents and fair wear and tear
-

TO MAKE A CLAIM, PLEASE ENSURE YOU RETAIN YOUR SALES RECEIPT OF PURCHASE

1800 88 39 64



OUTDOOR SUPACENTRE PTY LTD
Level 1, Building A, 6 Figtree Drive,
Sydney Olympic Park, NSW 2127, Australia
PHONE: 1800 88 39 64
www.4wdsupacentre.com.au